

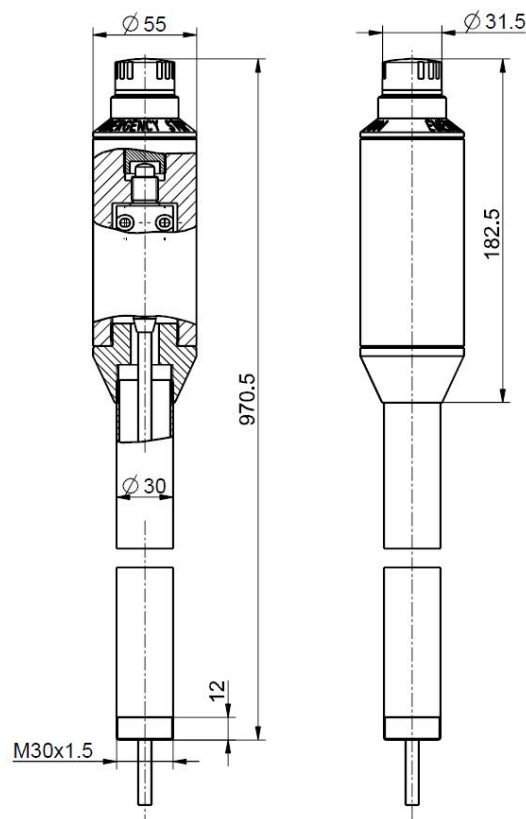


Command device
 ES 14 RUV 2Ö/1S 1m with carrying rod
 Material number.: 1457003

Features/Options

- Thermoplastic enclosure
- Double insulated X
- With pre-wired cable, cable length 1 m
- Actuator: Emergency-stop push-button QRBUV_622
- Actuator made of plastic
- According to EN 418
- With collar to prevent blocking
- Reset by turning clockwise and left rotation
- With pressure-point to protect against unintentional actuation
- Carrying rod for further installation

Dimensions

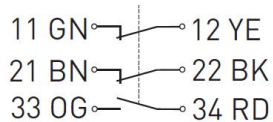


Technical Data

Standards	EN ISO 13849-1; EN 60947-5-1
Enclosure	glass-fibre reinforced, shock-proof thermoplastic, self-extinguishing UL 94-V0
Degree of protection	IP 65 to IEC/EN 60529
Contact material	silver
Switching system	slow action, positive break
Switching elements	NC contacts A
Connection	2 NC/ 1 NO contact, type Zb
Cable cross-section	pre-wired cable 6 x AWG 20
B _{10d} (10 % Load)	60 000
T _M	max. 20 years
U _{imp}	4 kV
U _i	250 V
I _{the}	6 A
I _e / U _e	6 A/250 VAC; 0.25 A/230 VDC
Utilisation category	AC-15; DC-13
Max. fuse rating	6 A gG/gN fuse
Ambient temperature	- 20° C ... + 75° C
Mechanical life	> 30 000 operations
Frequency of operation	1800/h
Contact opening	2 x 4 mm

Errors and omissions excepted.

Contact diagram



Switching diagram

